

User Manual

# CONTROLLER IDENTIFICATION



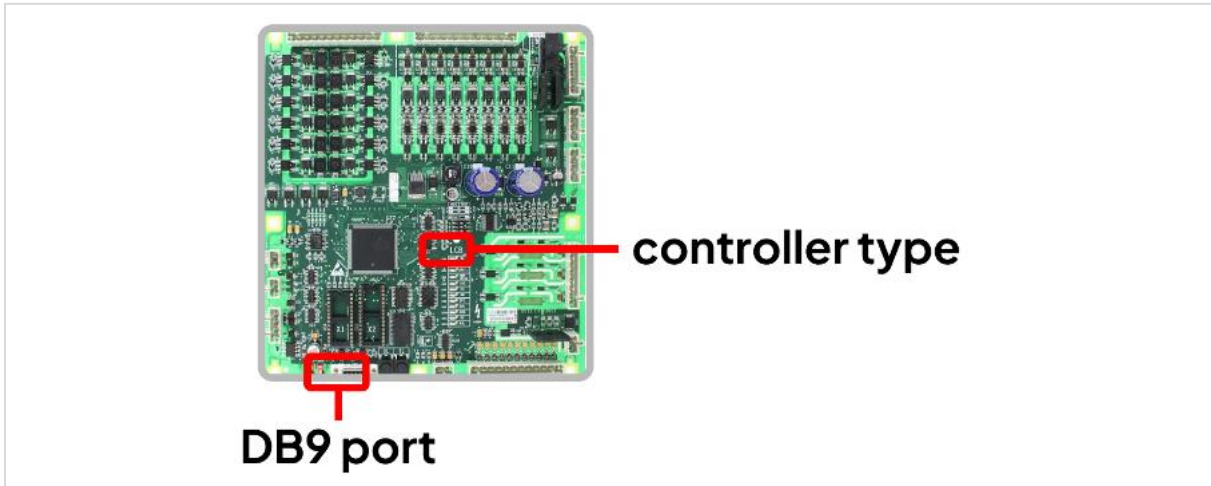
Monitoring. Made **easy**.

# Content

<b>Otis</b>	<b>3</b>
LCB II Controller	3
LB II Controller	3
RCB II Controller	4
GECB-EN Controller	4
GECB II & GECB-LV Controllers	5
<b>KONE</b>	<b>6</b>
LCE CPU40	6
LCE CPU	7
LCE CPU NC with LOPCB board	7
<b>Schindler</b>	<b>8</b>
Bionic (SCPU)	8
Miconic (ISCPU)	8
Smart (SCIC)	9
<b>TKE</b>	<b>10</b>
MC1	10
MC2	10
MC3	11
TCIMC/CPU	11
<b>Contact</b>	<b>12</b>

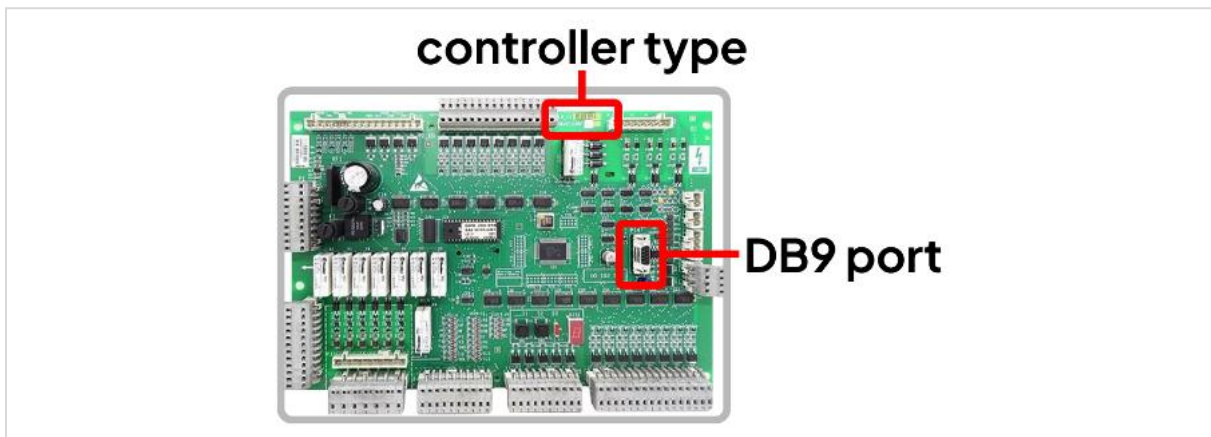
# Otis

## LCB II Controller



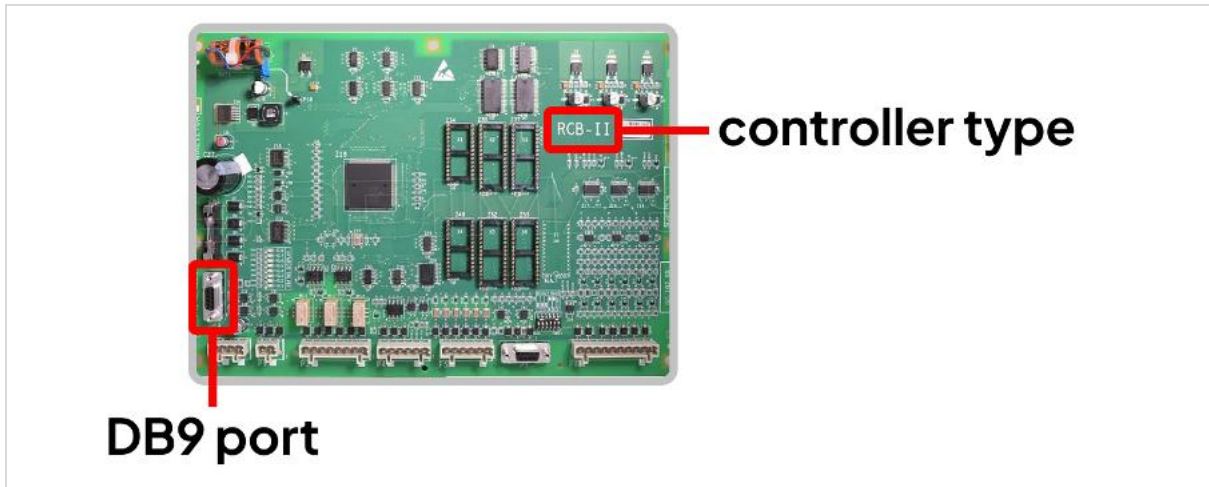
Download Otis LCB II installation manual here: [eleon.elfin.de](http://eleon.elfin.de)

## LB II Controller



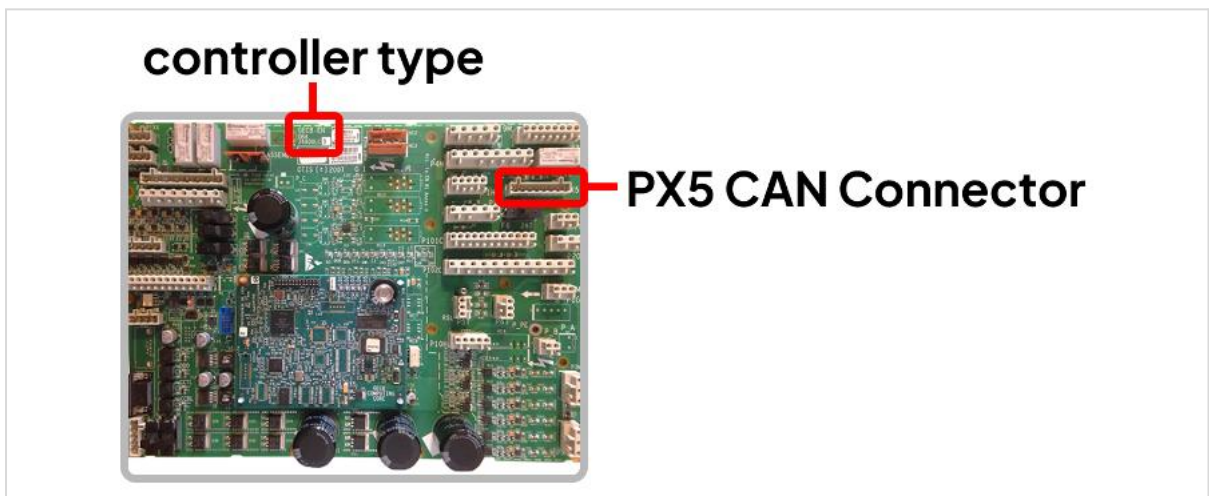
Download Otis LB II installation manual here: [eleon.elfin.de](http://eleon.elfin.de)

## RCB II Controller



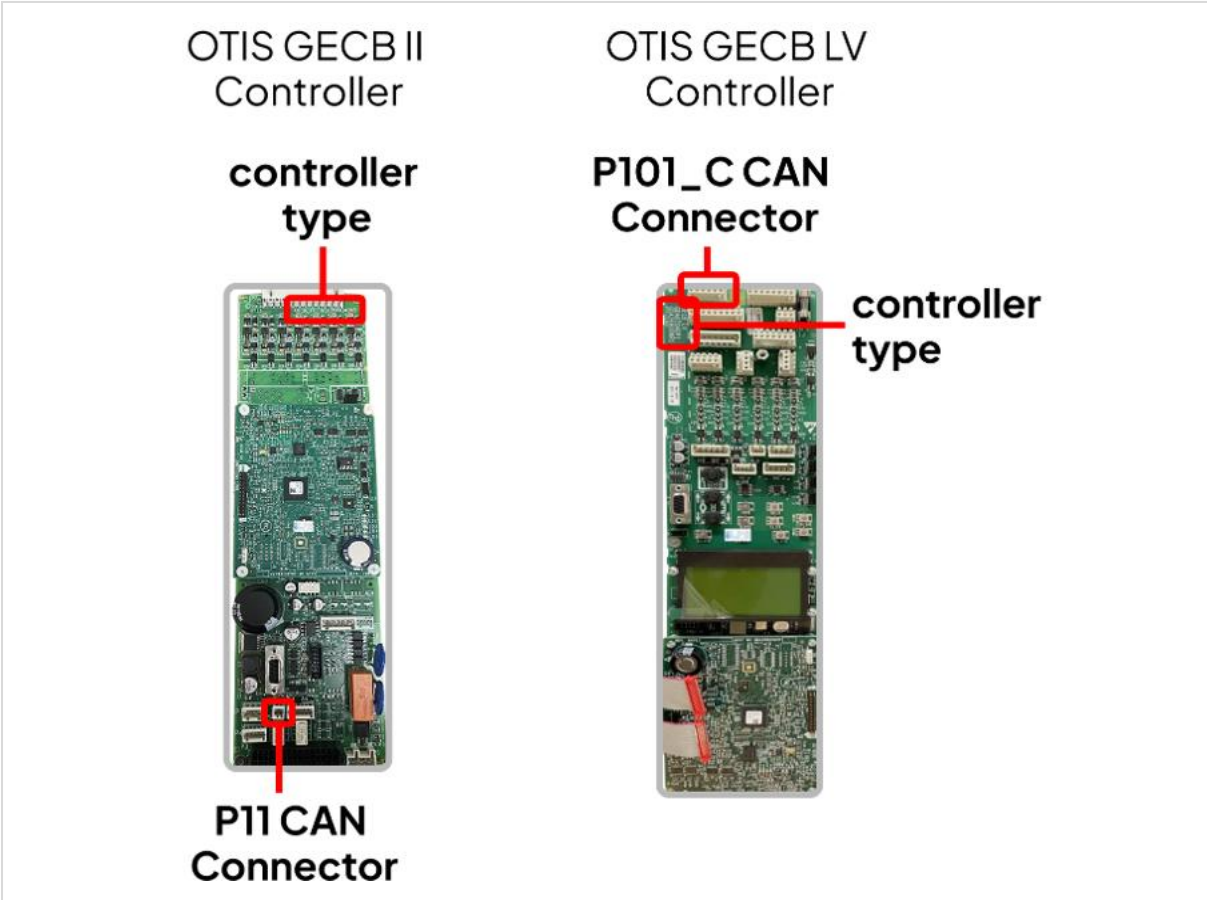
Download Otis RCB II installation manual here: [eleon.elfin.de](http://eleon.elfin.de)

## GECB-EN Controller



Download Otis GECB-EN installation manual here: [eleon.elfin.de](http://eleon.elfin.de)

# GECB II & GECB-LV Controllers

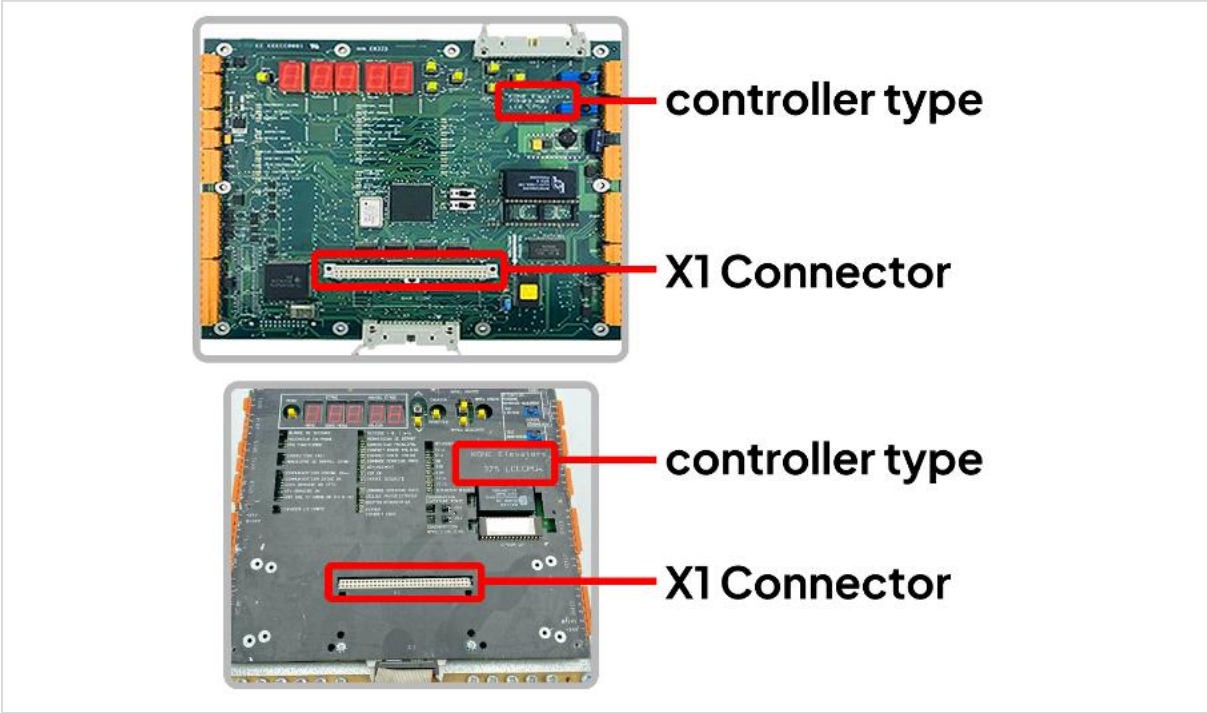


Download Otis GECB II installation manual here: [eleon.elfin.de](http://eleon.elfin.de)

Download Otis GECB LV installation manual here: [eleon.elfin.de](http://eleon.elfin.de)

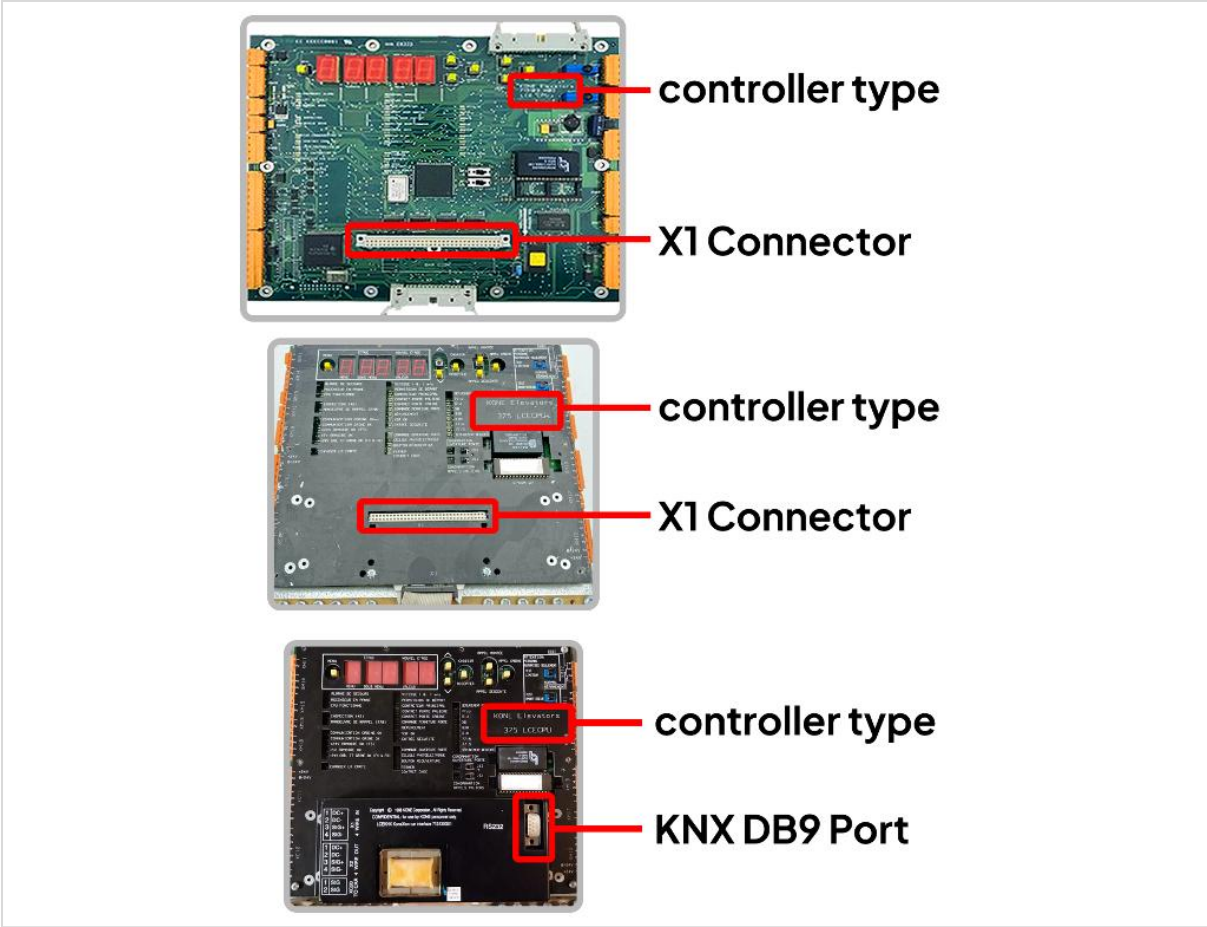
# KONE

## LCE CPU40



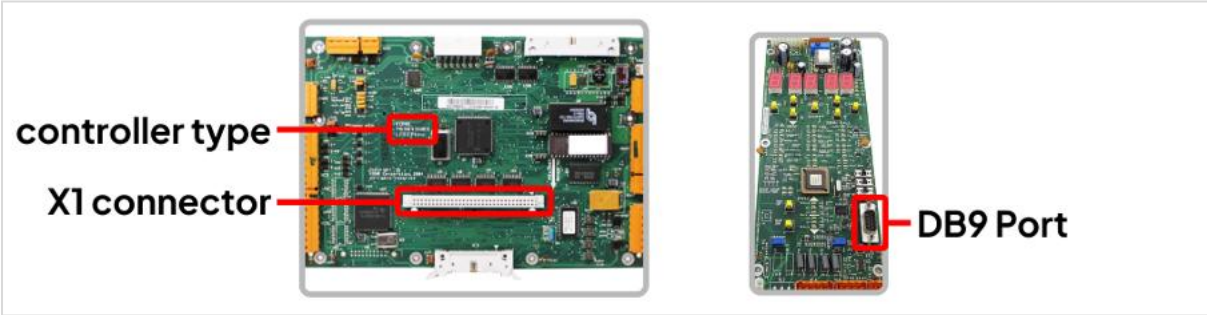
Download Kone CPU40 installation manual here: [eleon.elfin.de](http://eleon.elfin.de)

# LCE CPU



Download Kone LCE CPU installation manual here: [eleon.elfin.de](http://eleon.elfin.de)

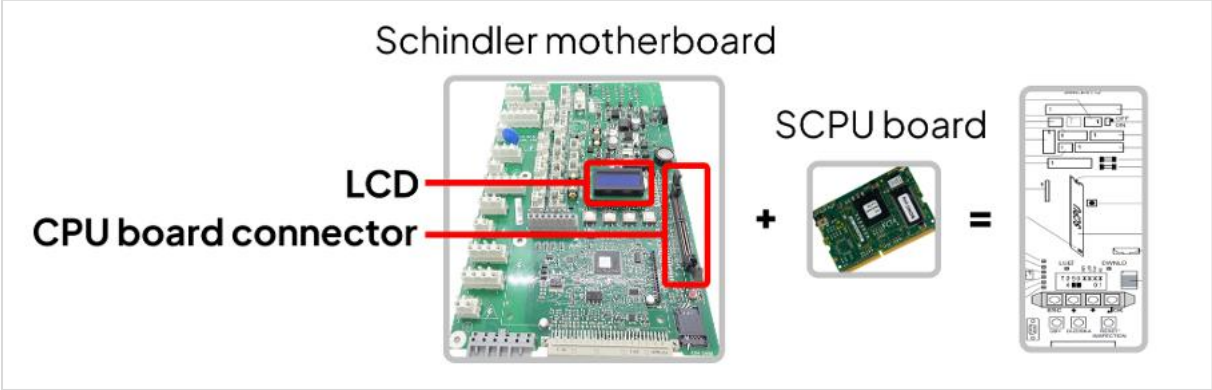
# LCE CPU NC with LOPCB board



Download Kone LCE CPU NC installation manual here: [eleon.elfin.de](http://eleon.elfin.de)

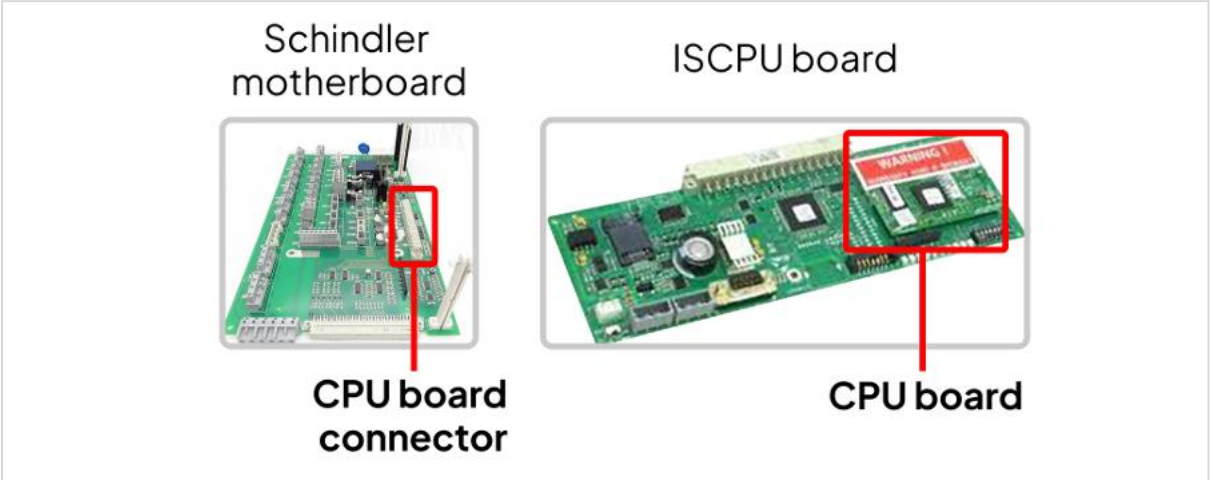
# Schindler

## Bionic (SCPU)



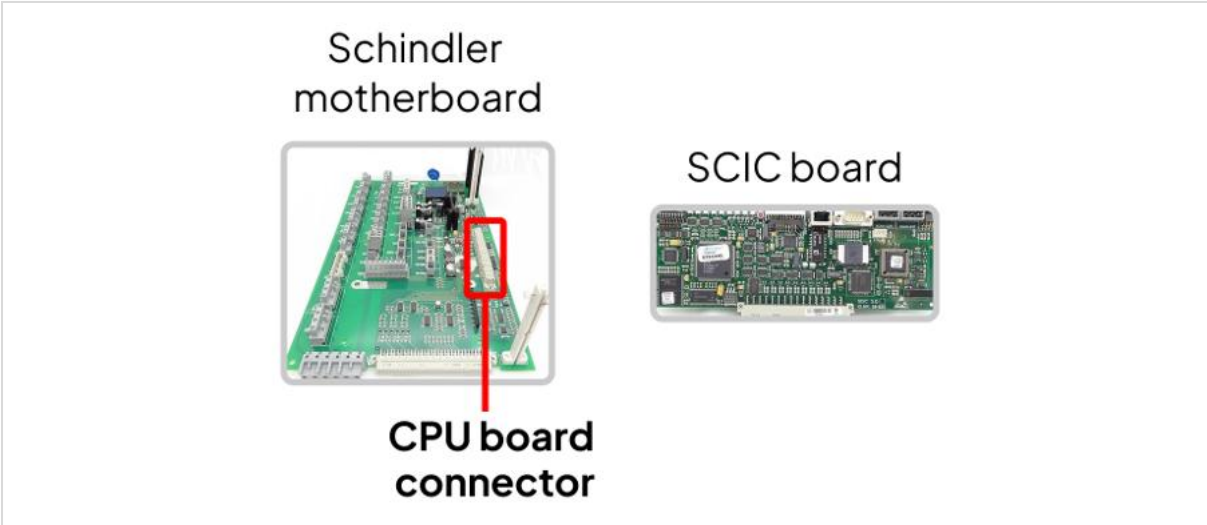
Download Schindler Bionic installation manual here: [eleon.elfin.de](http://eleon.elfin.de)

## Miconic (ISCPU)



Download Schindler Miconic installation manual here: [eleon.elfin.de](http://eleon.elfin.de)

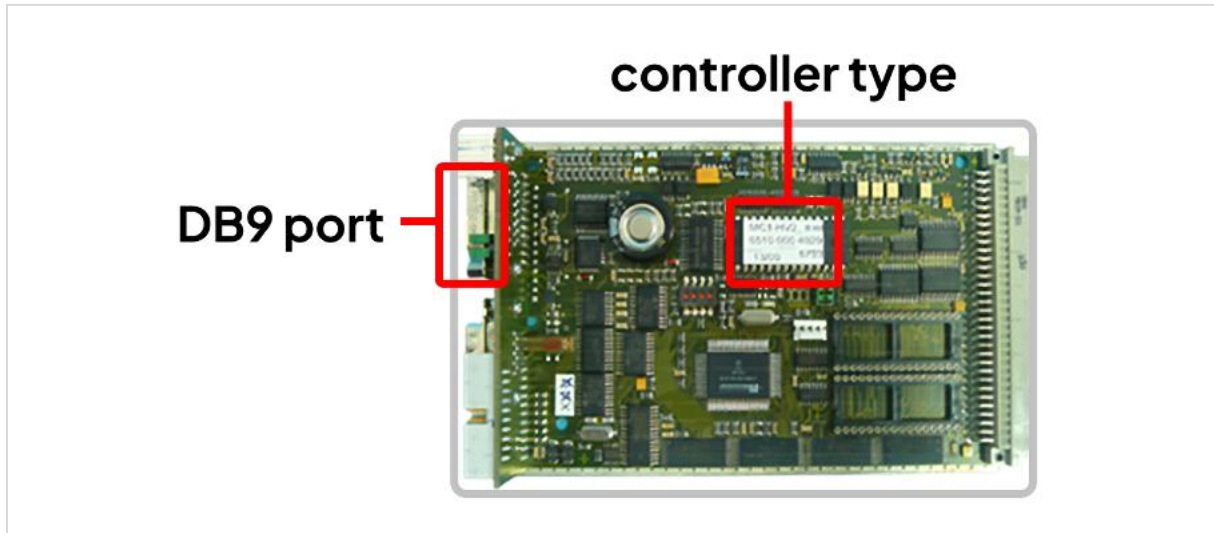
# Smart (SCIC)



Download Schindler Smart installation manual here: [leon.elfin.de](http://leon.elfin.de)

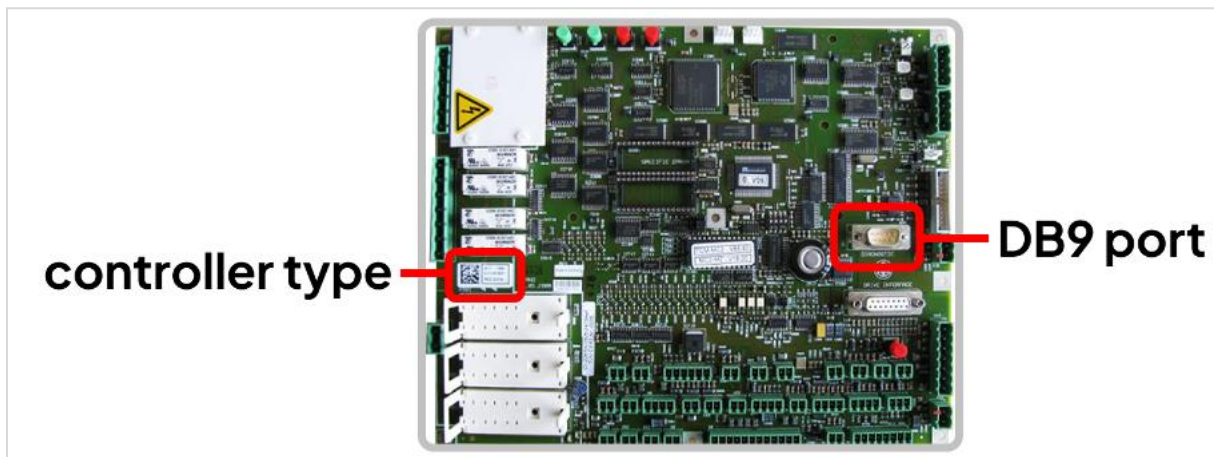
# TKE

## MC1



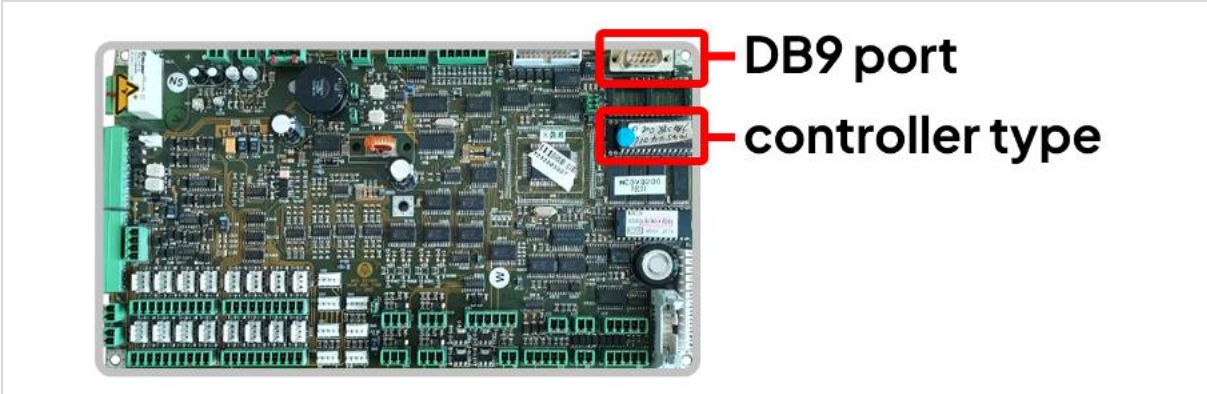
Download TKE MC1 installation manual here: [eleon.elfin.de](http://eleon.elfin.de)

## MC2



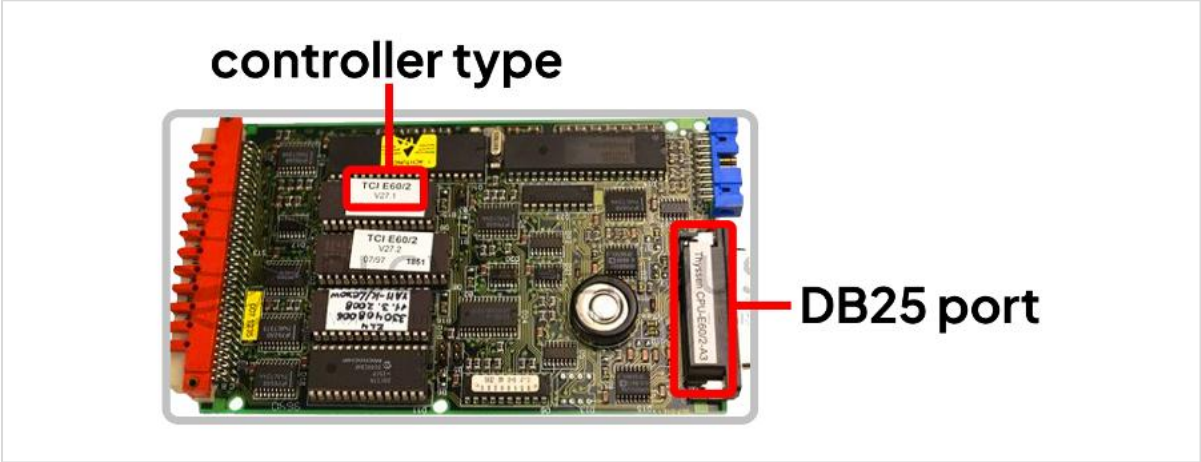
Download TKE MC2 installation manual here: [eleon.elfin.de](http://eleon.elfin.de)

# MC3



Download TKE MC3 installation manual here: [eleon.elfin.de](http://eleon.elfin.de)

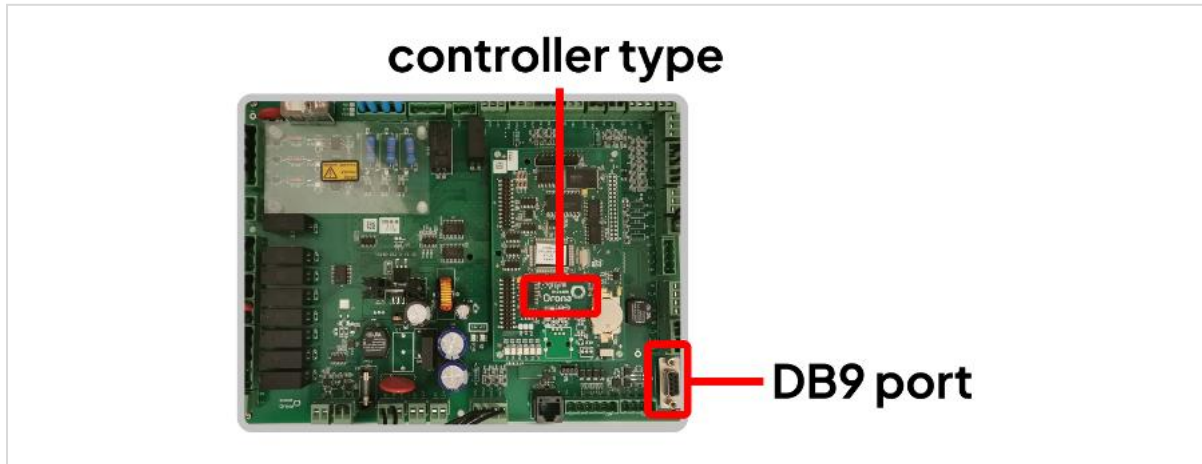
# TCI MC/CPU



Download TKE TCI MC/CPU installation manual here: [eleon.elfin.de](http://eleon.elfin.de)

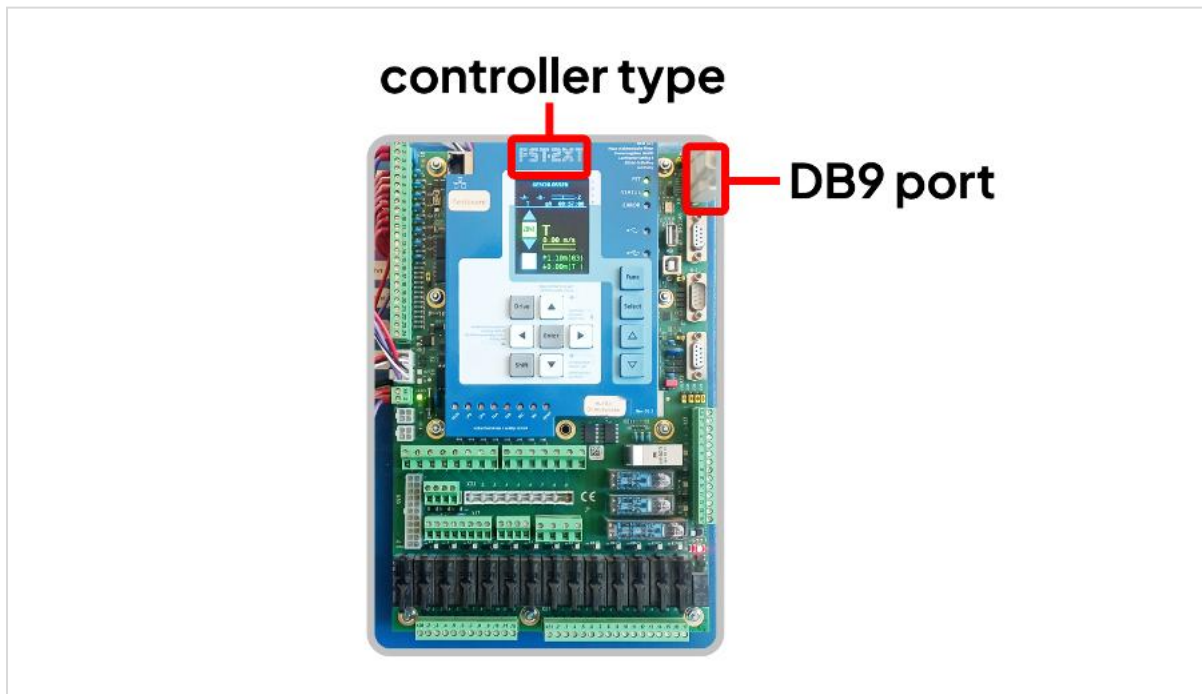
## Orona ARCA 2

(Board code: 5124409) → Currently eleon Gateways exclusively support ARCA 2 controllers with this specific board code.



Download Orona ARCA 2 installation manual here: [eleon.elfin.de](http://eleon.elfin.de)

## NewLift FST / FST2XT



Download NewLift FST / FST2XT installation manual here: [eleon.elfin.de](http://eleon.elfin.de)

# Contact

Even an extensive documentation cannot answer every question. Do you still have questions or suggestions concerning our **eleon S1** universal elevator gateway?

Please have the following information ready for our customer support:

- customer name
- adress of installation site
- **eleon S1** serial number
- controller type
- if applicable, photo of the controller
- shown signal strength

We look forward to your requests! Please don't hesitate to contact us at:

## ELFIN Technology GmbH

Im Zollhafen 22  
50678 Cologne  
Germany  
Phone: +49 (221) 6778932-0  
FAX: +49 (221) 6778932-2  
service@elfin.de  
www.elfin.de



## Support eleon S1

eleon.elfin.de  
Phone: Phone: +49 (221) 6430816-3  
support@elfin.de

